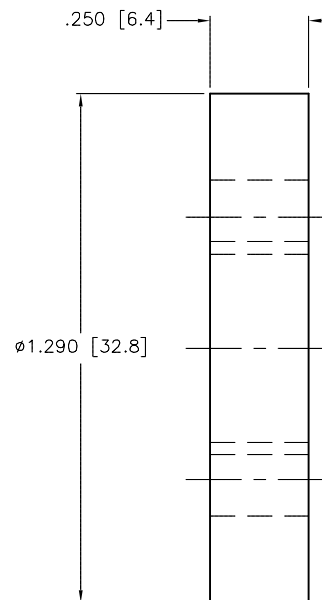
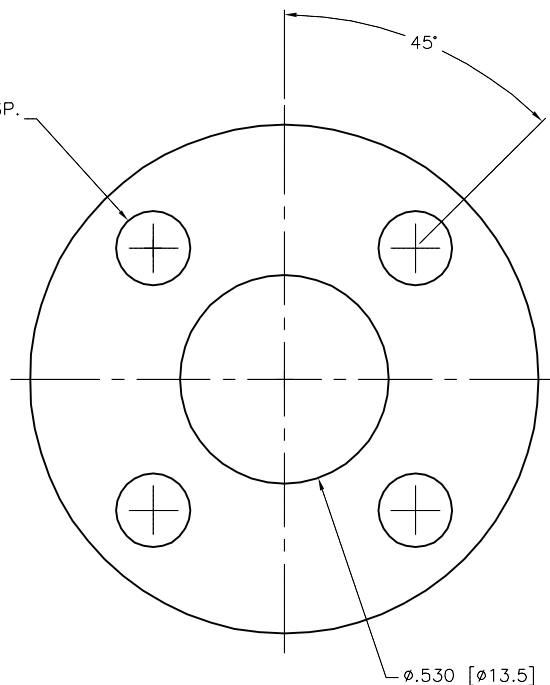


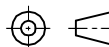
4x ϕ .19 [ϕ 4.8] THRU EQ. SP.
ON A ϕ .937 BOLT CIRCLE



RELATED DOCUMENTS

- 1.
- 2.
- 3.
- 4.

3RD ANGLE
PROJECTION



THIS DRAWING IS
CONFIDENTIAL AND THE
PROPERTY OF TURCK
INC. USE OF THIS
DOCUMENT WITHOUT
WRITTEN PERMISSION IS
PROHIBITED.

TURCK

3000 CAMPUS DRIVE
MINNEAPOLIS, MN 55441
1-800-544-7769
(763) 553-7300
(763) 553-0708 fax
www.turck.us

MATERIAL
 ϕ 1-5/16 6061-T651
CF ALUMINUM ROUND

ALL DIMENSIONS
DISPLAYED ON THIS
DRAWING ARE FOR
REFERENCE ONLY

DRFT RDS DATE 05/02/03
DSGN SCALE 1=.5

DESCRIPTION
STS-R10

FINISH

CONTACT TURCK
FOR MORE
INFORMATION

UNIT OF MEASUREMENT
INCH [MILLIMETER]

IDENTIFICATION NO.

A0852

REV

A

DO NOT SCALE THIS DRAWING

FILE: A0852

SHEET 1 OF 1

A	DRAWING RELEASE	RDS	05/12/03	
REV	DESCRIPTION	BY	DATE	ECO NO.